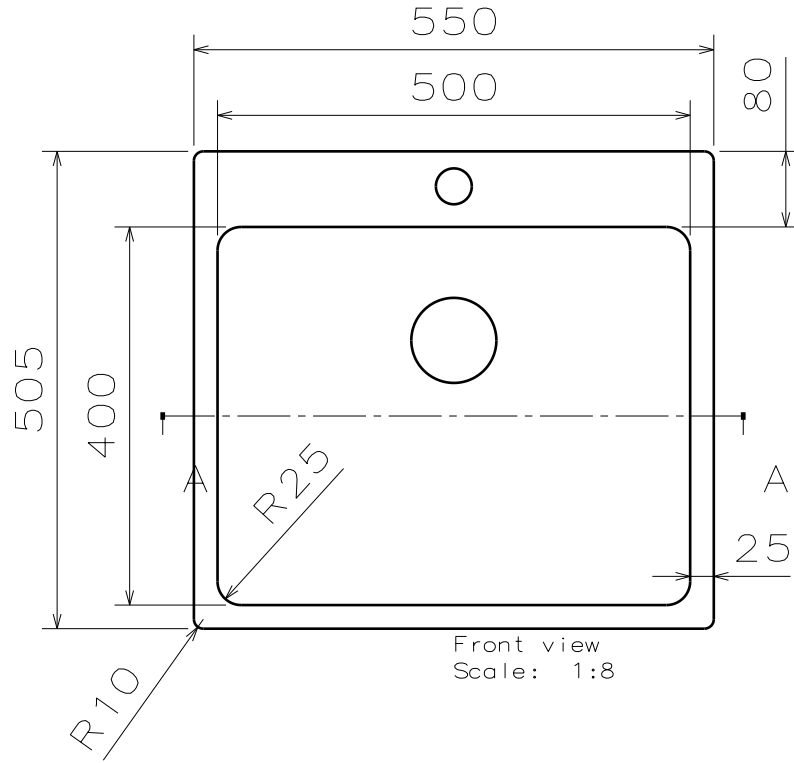
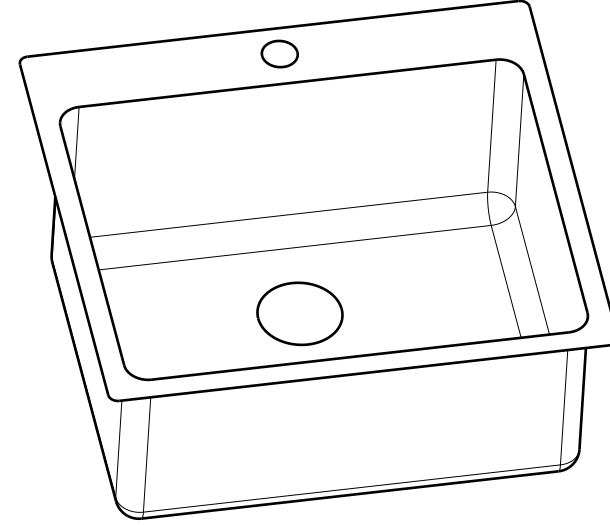




Section view A-A  
Scale: 1:8



Front view  
Scale: 1:8



Isometric view  
Scale: 1:8

CIZEN DESIGNED BY	E .DEMİR	MALZEME MATERIAL	304	TOLERANS	MONTAJ NO. ASSEMBLY NR.
KONTROL CHECKED BY	B .KURT	ADET QUANTITY	XXX	+ 1 -	XXX
TARİH DATE	2017	PROJE KODU PROJECT CODE	AS-394		
ÖLÇEK SCALE		PARÇA ADI PART NAME	DRAWN R-25		
<b>A4</b>					